

Grade-Level Double-Throw Switch, Non-Fusible



E56620

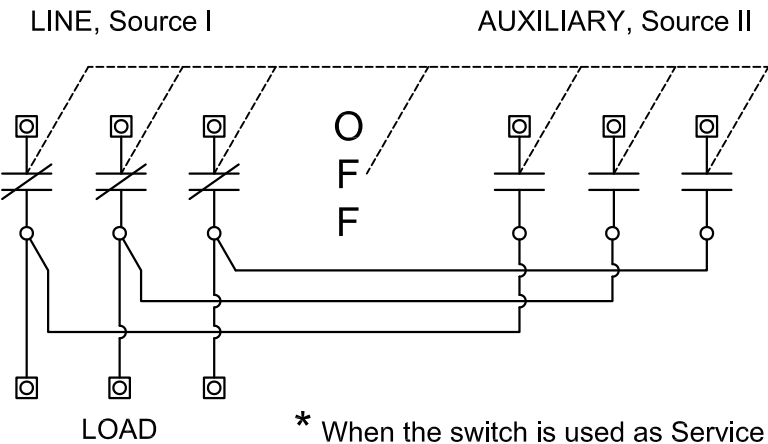
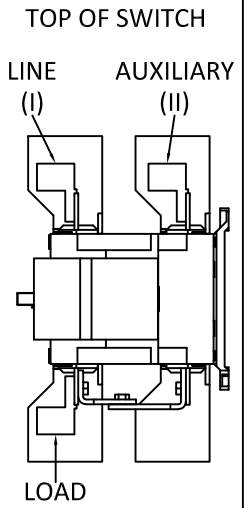
Manually-operated switch suitable for use in Optional Standby Power Systems in accordance with Article 702 of the National Electric Code®, ANSI/NFPA 70®.

Catalog Number	Number of Poles	Ampere Rating	Voltage Rating	Frequency	X SCCR	Y FUSE	Lug Connections (Line, Auxiliary, Load, Neutral)	Wires allowed per lug	Lugs per Pole	Torque
4102-SE	2	100	600	50 / 60 Hz	100 kA	J	#6 - 300MCM CU/AL	1	1	160 lb-in 18 Nm
4103-SE	3									
4104	4									
4202-SE	2	200	600	50 / 60 Hz	100 kA	J	#6 - 300MCM CU/AL	1	1	160 lb-in 18 Nm
4203-SE	3									
4204	4									
4402-SE	2	400	600	50 / 60 Hz	65 kA	J	#4 - 600MCM CU/AL or 1/0 - 250MCM	1 or 2	1	310 lb-in 35 Nm
4403-SE	3									
4404	4									
4603-SE	3	600	600	50 / 60 Hz	100 kA	J or L	#2 - 600MCM CU/AL	2	1	500 lb-in 56.5 Nm
4604	4									
4803-SE	3	800	600	50 / 60 Hz	100 kA	L	#2 - 600MCM CU/AL	2	2	500 lb-in 56.5 Nm
4804	4									
4903	3	1200	600	50 / 60 Hz	100 kA	L	#2 - 600MCM CU/AL	2	2	500 lb-in 56.5 Nm
4904	4									

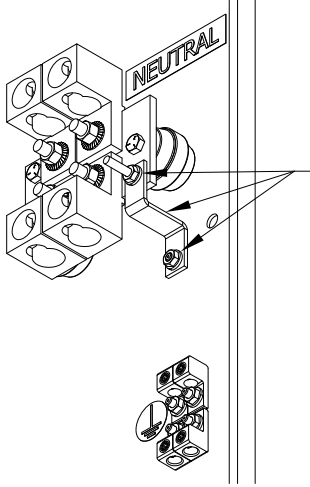
DIAGRAM FOR SERIES 4 DOUBLE-THROW SWITCHES UL98
 RONK ELECTRICAL INDUSTRIES, INC.
 NOKOMIS, ILLINOIS
 Scale: NONE
 Drawing Number: **2-5976**
 Drawn: NCL
 Date: 09/03/2020
 Approved: GMW

THIS SWITCH IS SUITABLE FOR USE ON A CIRCUIT CAPABLE OF DELIVERING NOT MORE THAN X AMPERES, RMS SYMMETRICAL, 600 VOLTS MAXIMUM WHEN USED IN CONJUNCTION WITH CLASS Y FUSES NOT EXCEEDING NAMEPLATE RATING.

'-SE' Denotes: SUITABLE FOR USE AS SERVICE EQUIPMENT



* When the switch is used as Service Equipment, the Bonding Jumper must be installed connecting the Neutral Assembly to the Panel. Reference Article 230 of NFPA 70® / National Electrical Code® for information on Service Installations. Per 230-91, when the Service Overcurrent Device is not an integral part of the Service Disconnecting Means, it "shall be located immediately adjacent thereto". Reference Article 250 for information on grounding and bonding.



- For 100 - 200 Amp units, use the included bonding braid and #10-32 ground screws. Torque: 30 in-lbs.
- For 400 Amp units, use the included copper bus bar and 1/4"-20 serrated nuts. Torque: 75 in-lbs.
- For 600 - 800 Amp units, use the included copper bus bar and 3/8"-16 serrated nuts. Torque: 240 in-lbs.

Revision Description	
Rev	BY
CN	Date