

Grade-Level Transfer Switch, Non-Fusible



MANUAL TRANSFER SWITCH
FOR USE ONLY IN OPTIONAL STANDBY SYSTEMS

E331709

LINE, Source I

AUXILIARY, Source II

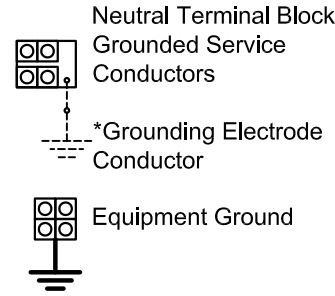
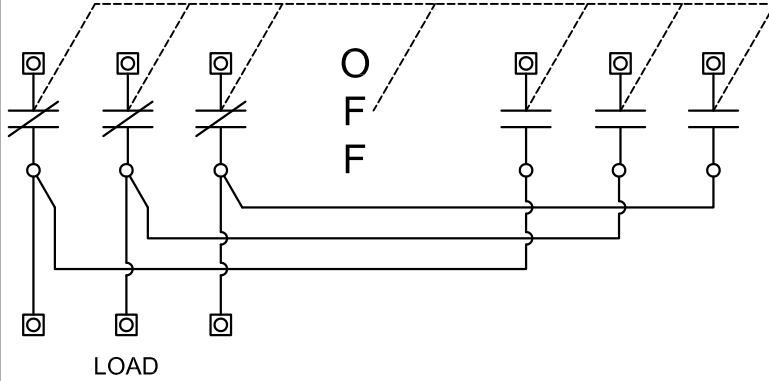


DIAGRAM FOR SERIES 4+ TRANSFER SWITCHES UL1008

RONK ELECTRICAL INDUSTRIES, INC.
NOKOMIS, ILLINOIS

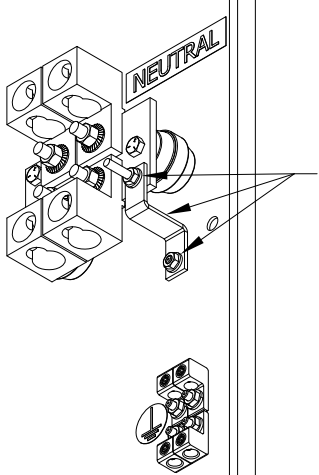
Scale: NONE
Drawn: NCL
Date: 09/09/2020
Approved: GMW

Drawing Number: **2-5977**

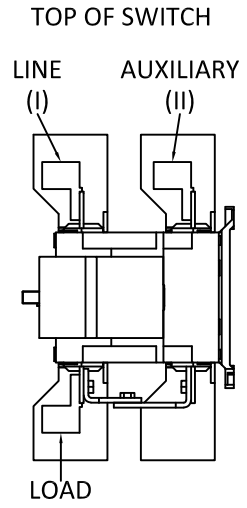
Catalog Number	Voltage	Total System Amperage	Resistive Load Amperage	Short-Circuit Current (RMS SYM)	Voltage Max	Time Duration	Short-Circuit Current (RMS SYM)	Voltage Max	Fuse Rating Class (Amps)	Fuse Rating Class (Amps)	Short-Circuit Current (RMS SYM)	Voltage Max	Fuse Rating Class (Amps)
				AMPS X 1000	(Volts AC)	(Sec, Max)	AMPS X 1000	(Volts AC)				AMPS X 1000	
5102-SE	240 Vac	100	100	10	240	0.05	65	240	Square D JJ 250	J 200	100	240	J 200
5103-SE 5104	240 Vac	100	100	10	600	0.05	35	480	Schneider NSX 160	J 200	100	600	J 200
	480 Vac	100	100										
5104	600 Vac	100	100										
5202-SE	240 Vac	200	200	10	240	0.05	65	240	Square D JJ 250	J 400	100	240	J 400
5203-SE 5204	240 Vac	200	200	10	600	0.05	65	480	Square D JJ 250	J 400	100	600	J 400
	480 Vac	100	200										
5204	600 Vac	100	200										
5302-SE	240 Vac	260	260	14	240	0.05					65	480	J 600
5303-SE 5304	240 Vac	260	260	14	600	0.05					65	600	J 600
	480 Vac	260	260										
5304	600 Vac	200	260										
5402-SE	240 Vac	400	400	14	240	0.05					65	480	J 600
5403-SE 5404	240 Vac	400	400	14	600	0.05					65	600	J 600
	480 Vac	400	400										
5404	600 Vac	200	400										
5803-SE 5804	240 Vac	700	800	35	600	0.05					65	600	L 1000
	480 Vac	600	800										
5804	600 Vac	-----	800										

'-SE' Denotes: SUITABLE FOR USE AS SERVICE EQUIPMENT

* When the switch is used as Service Equipment, the Bonding Jumper must be installed connecting the Neutral Assembly to the Panel. Reference Article 230 of NFPA 70® / National Electrical Code® for information on Service Installations. Per 230-91, when the Service Overcurrent Device is not an integral part of the Service Disconnecting Means, it "shall be located immediately adjacent thereto". Reference Article 250 for information on grounding and bonding.



- For 5102-SE, 5103-SE, 5202-SE, 5203-SE
Use the included bonding braid and #10-32 ground screws.
Torque: 30 in-lbs.
- For 5302-SE, 5303-SE, 5402-SE, 5403-SE
Use the included copper bus bar and 1/4-20 serrated nuts.
Torque: 75 in-lbs.
- For 5803-SE
Use the included copper bus bar and 3/8-16 serrated nuts.
Torque: 240 in-lbs.



Revision Description		
Rev	CN	Date
		BY