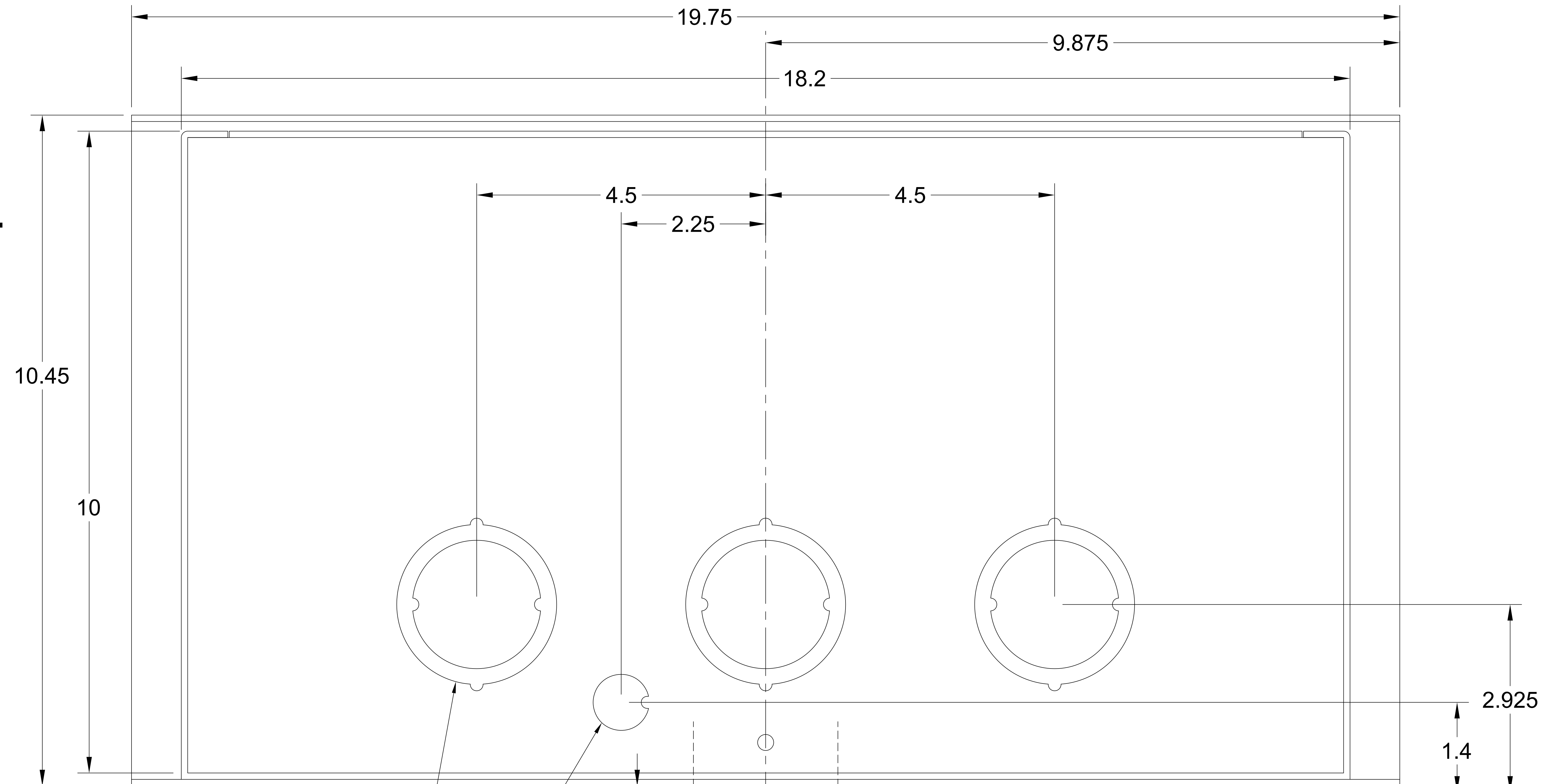


FRONT



BACK

(3) DOUBLE K'O's
1.5" - 2" CONDUIT

0.5" CONDUIT K'O'

0.1

2.25

1.125

OPTIONAL MOUNTING TAB

2.925

1.4

BOTTOM VIEW

DIMESIONS AND K'O's SUBJECT TO CHANGE WITHOUT NOTICE.

RONK ELECTRICAL
INDUSTRIES, INC.

7205AMS-X