

# METER-RITE®

Grade-Level Double-Throw / Meter Socket Combo Unit  
 Catalog Nos. 7205AMSH(-X,-V), 7205AMSL(-X,-V)  
 NEMA 3R Rainproof Enclosure 240 Vac

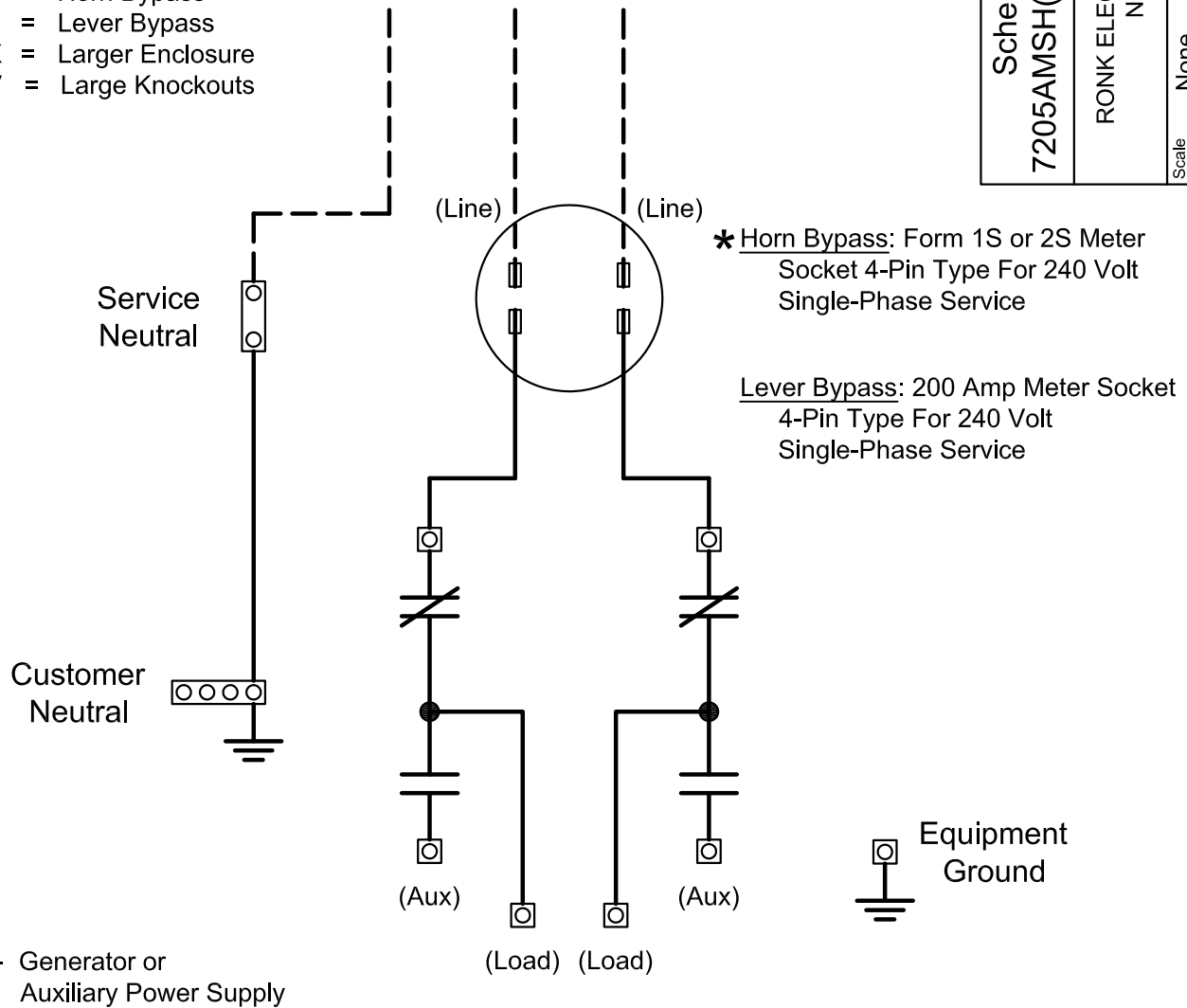
Schematic for Cat. Nos.  
 7205AMSH(-X,-V), 7205AMSL(-X,-V)

RONK ELECTRICAL INDUSTRIES, INC.  
 NOKOMIS, ILLINOIS

Scale	None	Drawing Number	<b>2-5410B</b>
Drawn	NCL		
Date	11/16/10		
Approved	PG		

## 240 VOLT SINGLE-PHASE SERVICE LINE

Note: H = Horn Bypass  
 L = Lever Bypass  
 X = Larger Enclosure  
 V = Large Knockouts



SWITCH CATALOG NUMBER	SERVICE CONNECTIONS		CUSTOMER CONNECTIONS		
	LINE LUGS	NEUTRAL	AUX LUGS	LOAD LUGS	NEUTRAL
7205AMSH, 7205AMSL, 7205AMSH-X, 7205AMSL-X, 7205AMSH-V, 7205AMSL-V	350 MCM - #6 (LAY IN TERMINAL)	250 MCM - #6 (1-HOLE LUG)	250 MCM - #6 (1-HOLE LUG)	250 MCM - #6 (4-HOLE LUG)	350 MCM - #6 (3-HOLE BAR)

TIGHTENING TORQUE	
SOCKET SIZE (INCH)	TORQUE (IN-LB)
1/8	45
5/32	100
3/16	120
7/32	150
1/4	200
5/16	250
3/8	375
1/2	500
9/16	600

**\* CONVERTIBLE TO 5 OR 6 PIN SOCKET WITH OPTIONAL PINS.**

USE COPPER WIRE RATED 75° C FOR AUXILIARY AND LOAD CONNECTIONS.

**WARNING:** ALL ADJUSTMENTS ON SWITCH HAVE BEEN MADE AT FACTORY AND MUST NOT BE CHANGED IN THE FIELD.

Revision Description  
 Updated Catalog Numbers, Added (-v) models to diagram.

Rev	CN	0044
Date	02/24/15	
BY	TMH	