

# METER-RITE®

Grade-Level Double-Throw / Meter Socket Combo Unit  
 Catalog Nos. 7406MS & 7406MS-X  
 NEMA 3R Rainproof Enclosure 240 Vac

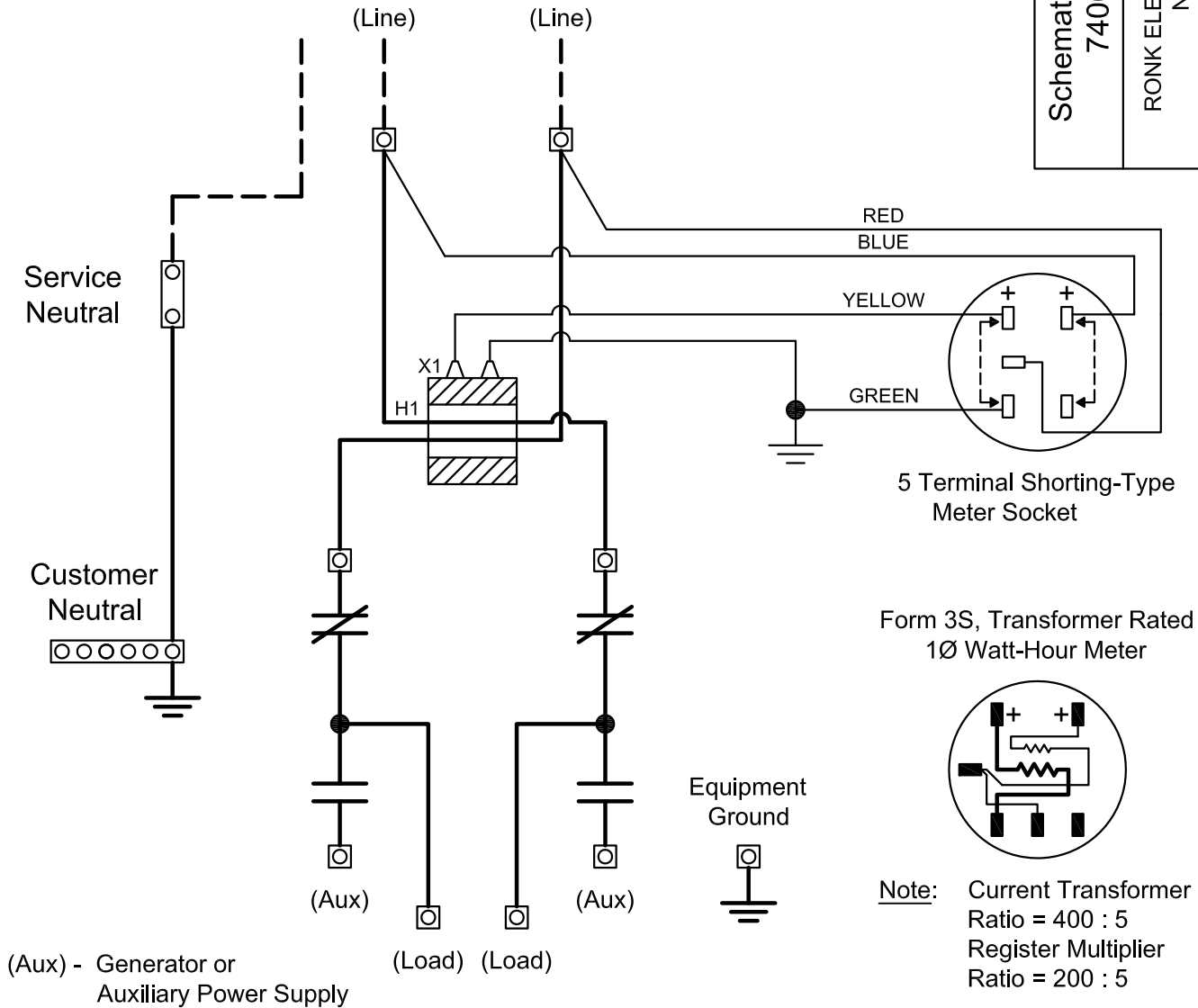
Schematic for Catalog Numbers  
 7406MS & 7406MS-X

RONK ELECTRICAL INDUSTRIES, INC.  
 NOKOMIS, ILLINOIS

Drawing Number

2-5411A

## 240 VOLT SINGLE-PHASE SERVICE LINE



SWITCH CATALOG NUMBER	SERVICE CONNECTIONS		CUSTOMER CONNECTIONS		
	LINE LUGS	NEUTRAL	AUX LUGS	LOAD LUGS	NEUTRAL
7406MS 7406MS-X	(2) 250 MCM - 1/0 OR (1) 600 MCM - #4 (1-HOLE LUG)	(2) 250 MCM - 1/0 OR (1) 600 MCM - #4 (1-HOLE LUG)	(2) 250 MCM - 1/0 OR (1) 600 MCM - #4 (1-HOLE LUG)	250 MCM - #6 (4-HOLE LUG)	350 MCM - #6 (5-HOLE BAR)

TIGHTENING TORQUE	
SOCKET SIZE (INCH)	TORQUE (IN-LB)
1/8	45
5/32	100
3/16	120
7/32	150
1/4	200
5/16	250
3/8	375
1/2	500
9/16	600

USE COPPER WIRE RATED 75° C FOR AUXILIARY AND LOAD CONNECTIONS.

WIRE BENDING SPACE IN THE ENCLOSURE BASED ON (2) 250 MCM, NOT (1) 600 MCM.

**WARNING:** ALL ADJUSTMENTS ON SWITCH HAVE BEEN MADE AT FACTORY AND MUST NOT BE CHANGED IN THE FIELD.

Revision Description

Updated Catalog Numbers.

Rev CN 0044

Date 4/17/12

BY NCL