

METER-RITE®

Grade-Level Double-Throw / Meter Socket Combo Unit
 Catalog Number 7410MS
 NEMA 3R Rainproof Enclosure 240 Vac

Schematic for
 Catalog Number 7410MS

RONK ELECTRICAL INDUSTRIES, INC.
 NOKOMIS, ILLINOIS

Drawing Number

2-3209C

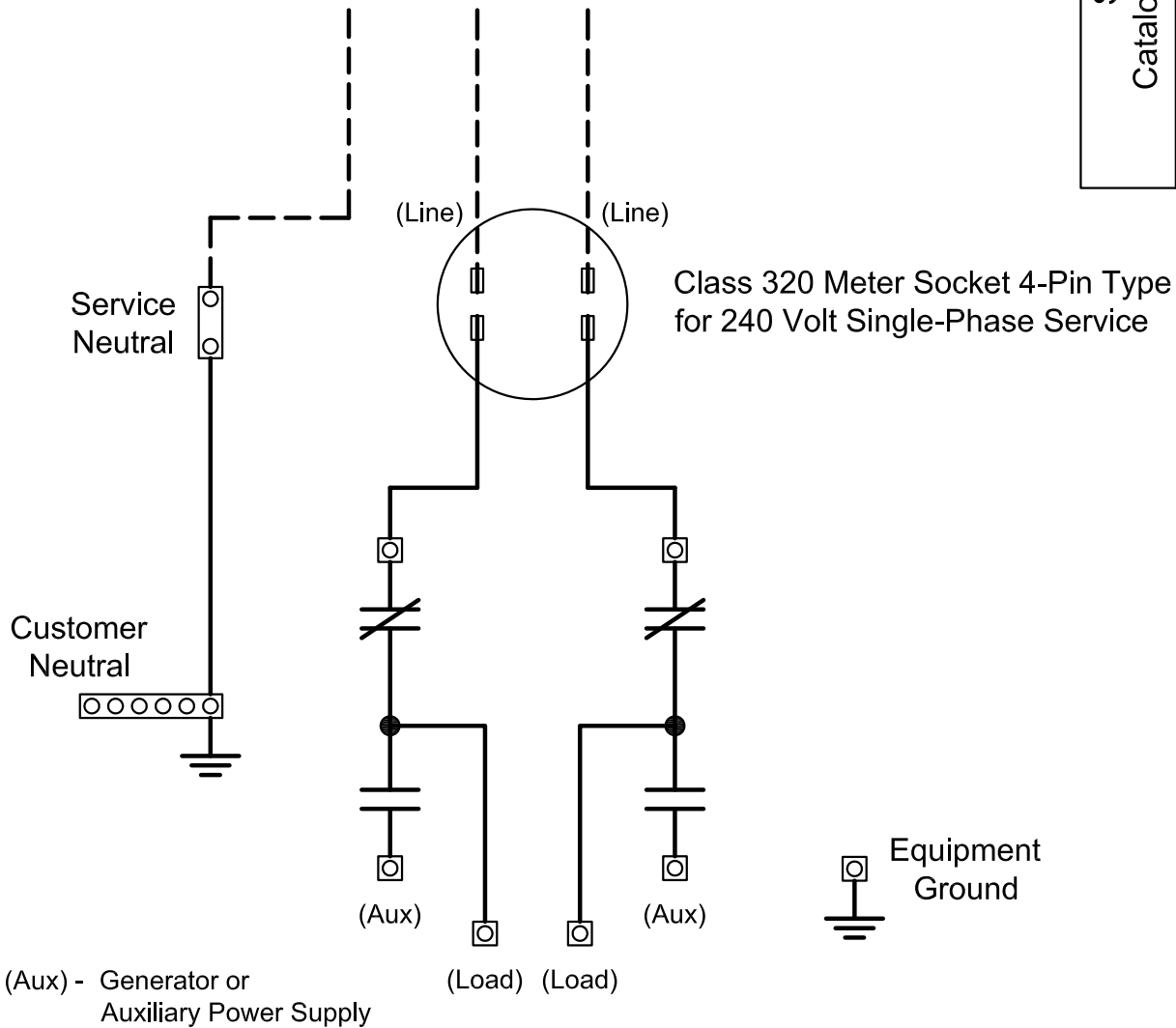
Scale None

Drawn NCL

Date 11/22/10

Approved PG

240 VOLT SINGLE-PHASE SERVICE LINE



SERVICE CONNECTIONS		CUSTOMER CONNECTIONS		
LINE LUGS	NEUTRAL	AUX LUGS	LOAD LUGS	NEUTRAL
(2) 250 MCM - 1/0 OR (1) 600 MCM - #4 (1-HOLE LUG)	(2) 250 MCM - 1/0 OR (1) 600 MCM - #4 (1-HOLE LUG)	(2) 250 MCM - 1/0 OR (1) 600 MCM - #4 (1-HOLE LUG)	250 MCM - #6 (4-HOLE LUG)	350 MCM - #6 (5-HOLE BAR)

TIGHTENING TORQUE	
SOCKET SIZE (INCH)	TORQUE (IN-LB)
1/8	45
5/32	100
3/16	120
7/32	150
1/4	200
5/16	250
3/8	375
1/2	500
9/16	600

USE COPPER WIRE RATED 75° C FOR AUXILIARY AND LOAD CONNECTIONS.

WIRE BENDING SPACE IN THE ENCLOSURE BASED ON (2) 250 MCM, NOT (1) 600 MCM.

WARNING: ALL ADJUSTMENTS ON SWITCH HAVE BEEN MADE AT FACTORY AND MUST NOT BE CHANGED IN THE FIELD.

Revision Description
 Changed nomenclature to reflect nameplate and drawing style of other prints.

Rev CN 0017

Date 11/3/10

BY NCL

C