

**ALL WIRING SHOULD BE DONE BY A QUALIFIED ELECTRICIAN IN ACCORDANCE WITH ARTICLE 455 OF THE NATIONAL ELECTRIC CODE® AND ALL OTHER APPLICABLE CODES.**

**SEE THE ROTO-CON MANUAL, ROTARY NAMEPLATE, PANEL NAMEPLATE, AND LOAD EQUIPMENT NAMEPLATES FOR AMPERAGE RATINGS AND OTHER IMPORTANT INFORMATION.**

SEE ARTICLE 250 OF NEC® FOR PROPER GROUNDING OF ALL ENCLOSURES.

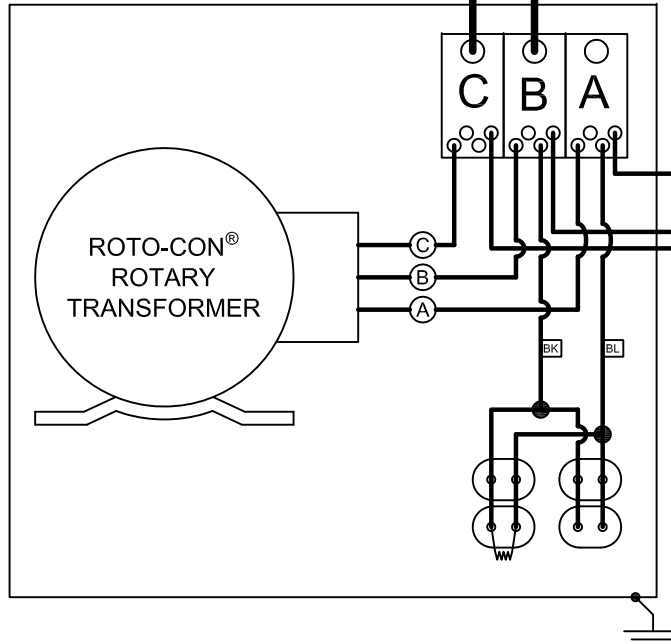
DO NOT CONNECT CONTROL TRANSFORMERS OR OTHER 1Ø LOADS TO "A" PHASE (PHASE WITH HIGHEST VOLTAGE TO GROUND) FROM THE CONVERTER.

480 VOLT  
1Ø FUSED  
DISCONNECT  
SWITCH OR  
BREAKER

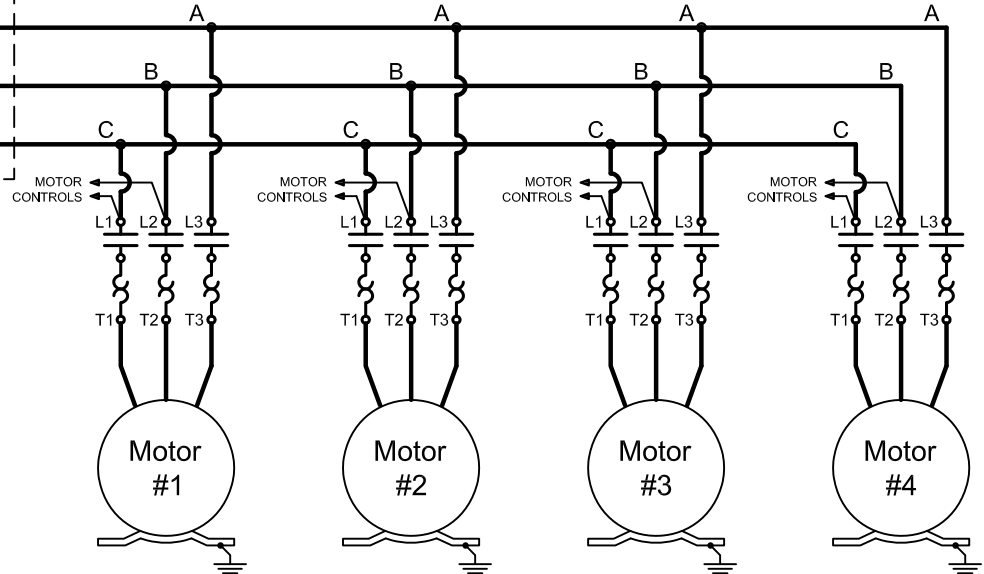
SINGLE-PHASE CONDUCTORS  
SIZED FOR FLA 1Ø

THREE-PHASE CONDUCTORS SIZED FOR LOAD IN  
ACCORDANCE WITH NEC.

3Ø  
DISCONNECTING  
MEANS



CAPACITOR PANEL MOUNTED TO ROTARY BASE UNIT



REVISIONS			ROTO-CON® MODEL 92 TYPE CP	
A	1/8/2014	NCL	RONK ELECTRICAL INDUSTRIES, INC. NOKOMIS, IL 62075	
			DRAWN - NCL	DRWG. NO. <b>3-1505A</b>
			DATE - 1/8/2014	
			APP'D - NCL	