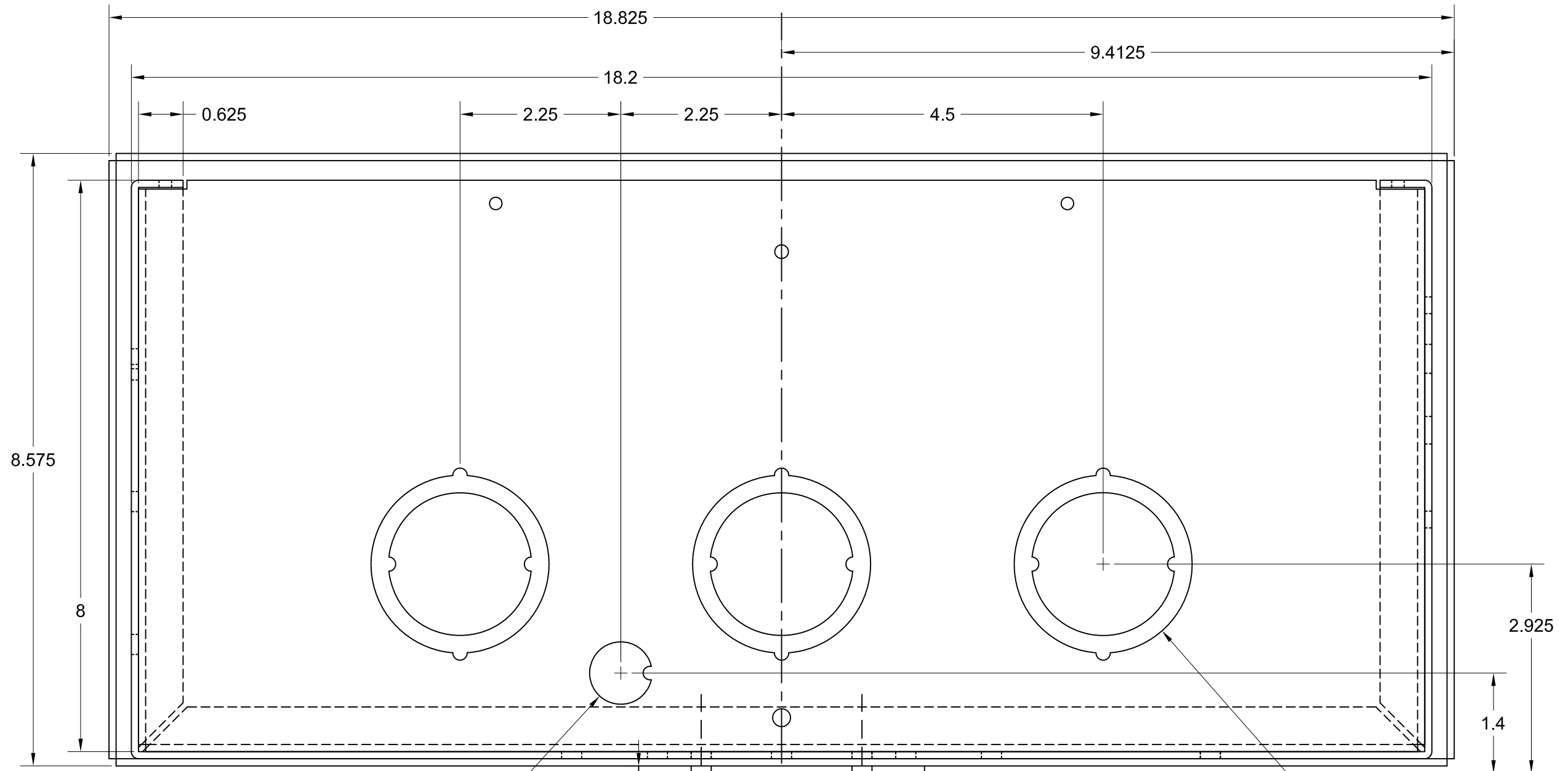


**FRONT**



**BACK**

Ø0.8740" OD KNOCKOUT  
1/2" CONDUIT

OPTIONAL MOUNTING TAB

Ø2.4900" OD  
DOUBLE KNOCKOUT (3)  
1.5" & 2.0" CONDUIT

**BOTTOM VIEW**

DIMENSIONS AND K'O's SUBJECT TO CHANGE WITHOUT NOTICE.

RONK ELECTRICAL  
INDUSTRIES, INC.

**7225**