

METER-RITE®

Grade-Level Meter Socket with Circuit Breaker Combo Unit

Catalog Number: MSB200H

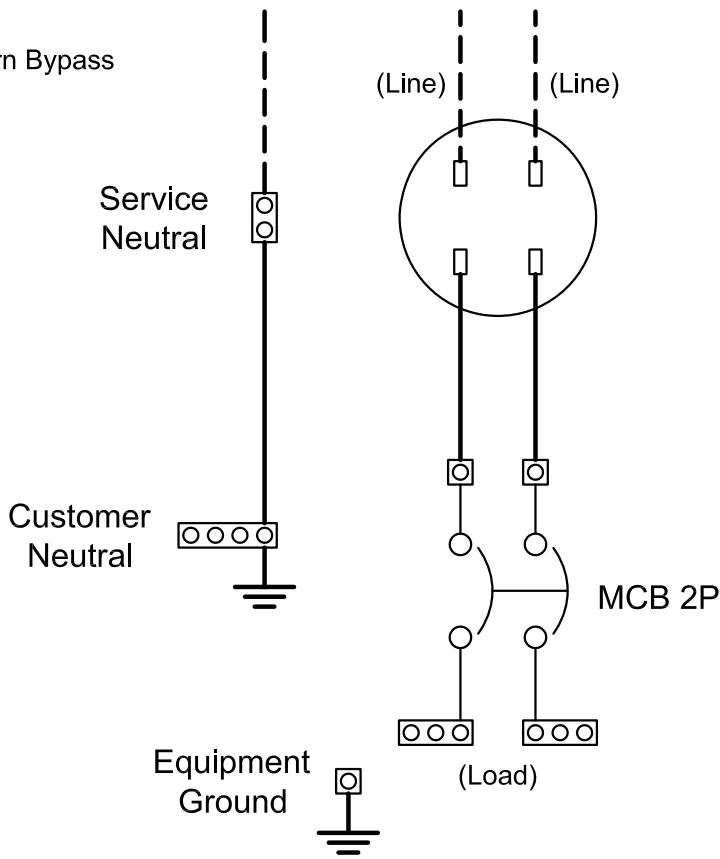
TYPE 3R Rainproof Enclosure 240 Vac

Suitable Only for Use as Service Equipment

Short Circuit Current Rating Of This Panelboard Is 25,000 RMS Symmetrical Amperes, 240 VAC Max, But The Rating Is Limited To The Lowest Interrupting Rating Capacity At A Supply Voltage Of Any Breaker Installed. The Replacement Circuit Breakers Must Be Of The Same Type And Interrupt Ratings.

200 AMP 240 VOLT SINGLE-PHASE SERVICE LINE

Note: H = Horn Bypass



| TIGHTENING TORQUE | |
|--------------------|----------------|
| SOCKET SIZE (INCH) | TORQUE (IN-LB) |
| 1/8 | 45 |
| 5/32 | 100 |
| 3/16 | 120 |
| 7/32 | 150 |
| 1/4 | 200 |
| 5/16 | 250 |
| 3/8 | 375 |
| 1/2 | 500 |
| 9/16 | 600 |

| SWITCH CATALOG NUMBER | SERVICE | | CUSTOMER | |
|-----------------------|-----------------------------------|------------------------------|------------------------------|------------------------------|
| | LINE LUGS | NEUTRAL | NEUTRAL | LOAD LUGS |
| MSB200H | 350 MCM - #6 (LAY IN TERMINAL) | 250 MCM - #6 (1-HOLE LUG) | 350 MCM - #6 (3-HOLE BAR) | 350 MCM - #6 (3-HOLE BAR) |

USE COPPER WIRE RATED 75° C FOR LOAD CONNECTIONS.

Schematic for Catalog Number
MSB200H

RONK ELECTRICAL INDUSTRIES, INC.
NOKOMIS, ILLINOIS

Drawing Number

2-5584

Scale None

Drawn NCL

Date 4/14/17

Approved NCL

Revision Description

Changed wording of SCCR.

Rev CN 196

Date 02/22/18

BY NCL

C