

METER-RITE®

Grade-Level Meter Socket with Circuit Breaker Combo Unit

Catalog Number: MSB200L

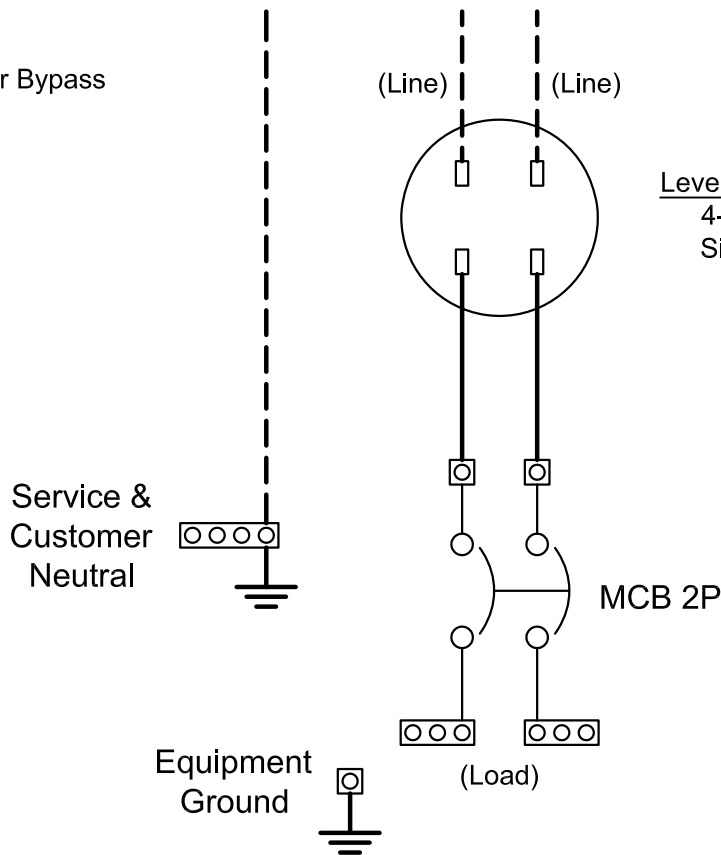
TYPE 3R Rainproof Enclosure 240 Vac

Suitable Only for Use as Service Equipment

Short Circuit Current Rating Of This Panelboard Is 25,000 RMS Symmetrical Amperes, 240 VAC Max, But The Rating Is Limited To The Lowest Interrupting Rating Capacity At A Supply Voltage Of Any Breaker Installed. The Replacement Circuit Breakers Must Be Of The Same Type And Interrupt Ratings.

200 AMP 240 VOLT SINGLE-PHASE SERVICE LINE

Note: L = Lever Bypass



Lever Bypass: 200 Amp Meter Socket
4-Pin Type For 240 Volt
Single-Phase Service

Schematic for Catalog Number
MSB200L

RONK ELECTRICAL INDUSTRIES, INC.
NOKOMIS, ILLINOIS

Drawing Number

2-5577

Scale None

Drawn NCL

Date 2/16/17

Approved NCL

| SWITCH CATALOG NUMBER | SERVICE | | CUSTOMER |
|-----------------------|-----------------------------------|------------------------------|------------------------------|
| | LINE LUGS | NEUTRAL | LOAD LUGS |
| MSB200L | 350 MCM - #6 (LAY IN TERMINAL) | 350 MCM - #6 (4-HOLE BAR) | 350 MCM - #6 (3-HOLE BAR) |

| TIGHTENING TORQUE | |
|--------------------|----------------|
| SOCKET SIZE (INCH) | TORQUE (IN-LB) |
| 1/8 | 45 |
| 5/32 | 100 |
| 3/16 | 120 |
| 7/32 | 150 |
| 1/4 | 200 |
| 5/16 | 250 |
| 3/8 | 375 |
| 1/2 | 500 |
| 9/16 | 600 |

USE COPPER WIRE RATED 75° C FOR LOAD CONNECTIONS.

Revision Description
Changed wording of SCCR.

| | | |
|------|----------|------|
| Rev | CN | 0196 |
| Date | 02/22/19 | |
| BY | NCL | |