

METER-RITE® Pole Top Double-throw Switches

Manual, Not Fusible – Quick-Break/Quick-Make

METER-RITE switches listed below are rated 100% capacity, continuous duty

	Catalog Number	Approx Weight (lbs)	DPDT - Double Pole – Double Throw TPDT - Triple Pole – Double Throw
Single Phase (240 Vac) UL Listed	9205	35	DPDT with 200 amp main contacts, 200 amp aux contacts
	9406	35	DPDT with 400 amp main contacts, 400 amp aux contacts
Three Phase (240 Vac) UL Listed	9805	44	TPDT with 200 amp main contacts, 200 amp aux contacts
	9806	44	TPDT with 400 amp main contacts, 400 amp aux contacts
Single Phase (240 Vac) Non-UL	9221	36	DPDT with 200 amp main contacts, 200 amp aux contacts with 200:5 amp metering CT
	9422	39	DPDT with 400 amp main contacts, 400 amp aux contacts with 400:5 amp metering CT
Three Phase (240 Vac) Non-UL	9870	56	TPDT with 200 amp main contacts, 200 amp aux contacts with (3) 200:5 amp metering CTs
	9871	61	TPDT with 400 amp main contacts, 400 amp aux contacts with (3) 200:5 amp metering CTs
Single Phase (600 Vac) Non-UL	R-8208-6	184	DPDT with 800 amp main contacts, 600 amp aux contacts
Three Phase (600 Vac) Non-UL	9800-6	44	TPDT with 200 amp main contacts, 200 amp aux contacts
	9808-6	41	TPDT with 400 amp main contacts, 400 amp aux contacts
	R-8808-6	197	TPDT with 800 amp main contacts, 600 amp aux contacts

Caution: Do not switch between sources with motor loads operating.

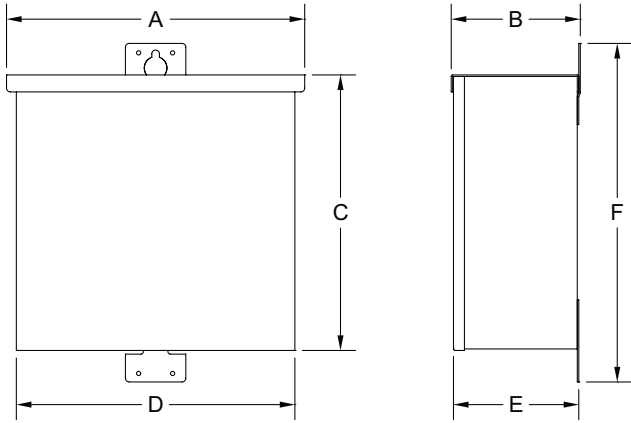


Sales Information: 1-800-221-7665 • Service and Support: 1-217-563-8333

PO Box 160, 106 E State Street, Nokomis, IL 62075-0160 • sales@ronkelectrical.com • www.ronkelectrical.com

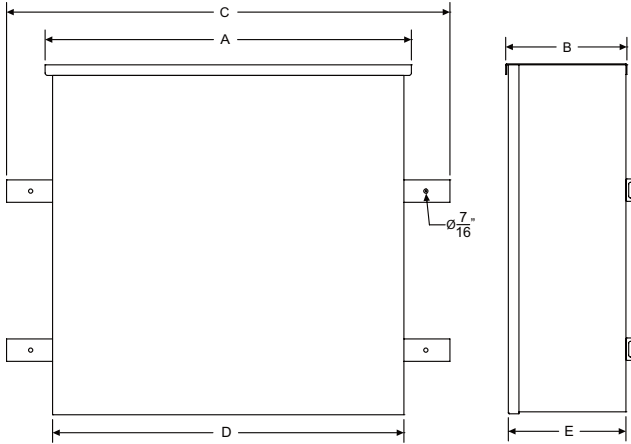
METER-RITE® Pole Top Double-throw Switches

Dimensions of NEMA 3R Enclosures (in inches)



Catalog Number	Wire Range	A	B	C	D	E	F
9205	E	19-3/4	8-9/16	18-1/4	18-1/2	8-5/16	23
9221	E	19-3/4	8-9/16	18-1/4	18-1/2	8-5/16	23
9406	G	19-3/4	8-9/16	18-1/4	18-1/2	8-5/16	23
9422	G	19-3/4	8-9/16	18-1/4	18-1/2	8-5/16	23
9805	F	25-3/4	8-9/16	18-1/4	24-1/2	8-5/16	23
9806	H	25-3/4	8-9/16	18-1/4	24-1/2	8-5/16	23
9800-6	F	25-3/4	8-9/16	18-1/4	24-1/2	8-5/16	23
9808-6	H	25-3/4	8-9/16	18-1/4	24-1/2	8-5/16	23
9870	F	25-3/4	8-9/16	26-1/4	24-1/2	8-5/16	31
9871	H	25-3/4	8-9/16	26-1/4	24-1/2	8-5/16	31

Wire Range	Line/ Auxiliary Lugs	Load Lugs
E & F	250 MCM - #6 CU-AL (1-Hole Lug)	250 MCM - #6 CU-AL (1-Hole Lug)
G & H	(2) 250 MCM - 1/0 OR (1) 600 MCM - #4 CU-AL (1-Hole Lug)	(2) 250 MCM - 1/0 OR (1) 600 MCM - #4 CU-AL (1-Hole Lug)



800 Amp

Catalog Number R-8208-6, R-8808-6

A	B	C	D	E
38	12-1/2	36	36-1/2	12-1/4

Wire Range		
Line Lugs	Load Lugs	Auxiliary Lugs
750 MCM - 500 MCM CU-AL (2-Hole Lug)	600 MCM - #2 CU-AL (3-Hole Lug)	350 MCM - #4 CU-AL (2-Hole Lug)



Sales Information: 1-800-221-7665 • Service and Support: 1-217-563-8333

PO Box 160, 106 E State Street, Nokomis, IL 62075-0160 • sales@ronkelectrical.com • www.ronkelectrical.com

TS-003_07-2016