

# ADD-A-PHASE® Type S Phase Converter



Type S is the standard ADD-A-PHASE static three-phase (3∅) converter for most pump, air compressor, and fan and blower applications. (Single motor applications only.)

The Type S is a cost-effective unit that operates constant horsepower loads more efficiently (approx. 97%) than other phase converters on the market. This high efficiency provides a much lower operating cost over the life of the converter.

## Applications

- Blowers
  - Dryer
  - Exhaust
  - Heating system
- Breathing air compressors
- Compressors
  - Air cycling piston
  - Refrigeration
- Farmstead dryers
- General applications
- Machine shops
- Motor-driven welders
- Pumps
  - Centrifugal
  - Heat
  - Heating systems
  - Irrigation
  - Manure
  - Turbine

## Specifications

<b>Starting Current:</b>	Approximately 300% of single-phase (1∅) input FLA
<b>Input Voltage</b> (Single Phase):	Model 2S: 240 V
	Model 3S: 240 V
	Model 4S: 480 V
	Model 2S-8: 240 V
<b>Output Voltage</b> (Three Phase):	Model 2S: 240 V
	Model 3S: 480 V
	Model 4S: 480 V
	Model 2S-8: 208 V
<b>Motor Ratings:</b>	1 HP to 125 HP

## 1∅ Full-load Amp Rating

Horsepower	Input Voltage	
	240 V	480 V
1	5 A	3 A
1.5	7 A	4 A
2	9 A	6 A
3	13 A	7 A
5	20 A	10 A
7.5	30 A	15 A
10	40 A	20 A
15	60 A	30 A
20	80 A	40 A
25	95 A	48 A
30	115 A	58 A
40	150 A	75 A
50	185 A	93 A
60	220 A	110 A
75	280 A	140 A
100		170 A
125		225 A

## Enclosure Size & Approximate Shipping Weights

Enclosure	Horsepower	Type 2S Weight	Type 3S Weight	Type 4S Weight
603	1	52 lbs.		56 lbs.
	1.5	60 lbs.		60 lbs.
	2	63 lbs.		63 lbs.
	3	74 lbs.		
107	1		114 lbs.	
	1.5		119 lbs.	
	2		127 lbs.	
	3		138 lbs.	115 lbs.
	5	140 lbs.	160 lbs.	142 lbs.
	7.5	165 lbs.	190 lbs.	165 lbs.
115	10	205 lbs.	240 lbs.	205 lbs.
	15	242 lbs.	285 lbs.	245 lbs.
130	20	310 lbs.	380 lbs.	320 lbs.
	25	350 lbs.	400 lbs.	360 lbs.
	30	390 lbs.	450 lbs.	420 lbs.
150	40	555 lbs.	635 lbs.	574 lbs.
	50	626 lbs.	720 lbs.	660 lbs.
175	60	680 lbs.	867 lbs.	755 lbs.
	75	700 lbs.	975 lbs.	892 lbs.
	100			1,115 lbs.
	125			1,125 lbs.

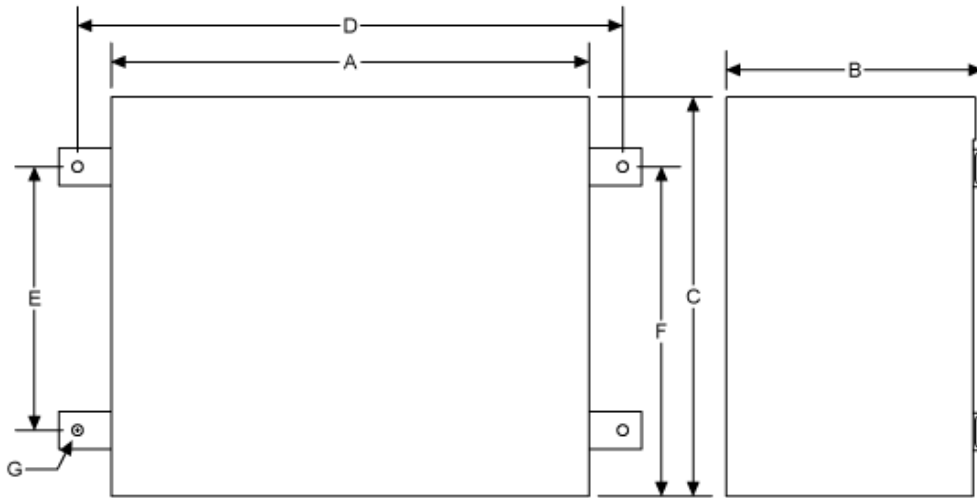


Sales Information: 1-800-221-7665 • Service and Support: 1-217-563-8333

PO Box 160, 106 E State Street, Nokomis, IL 62075-0160 • sales@ronkelectrical.com • www.ronkelectrical.com

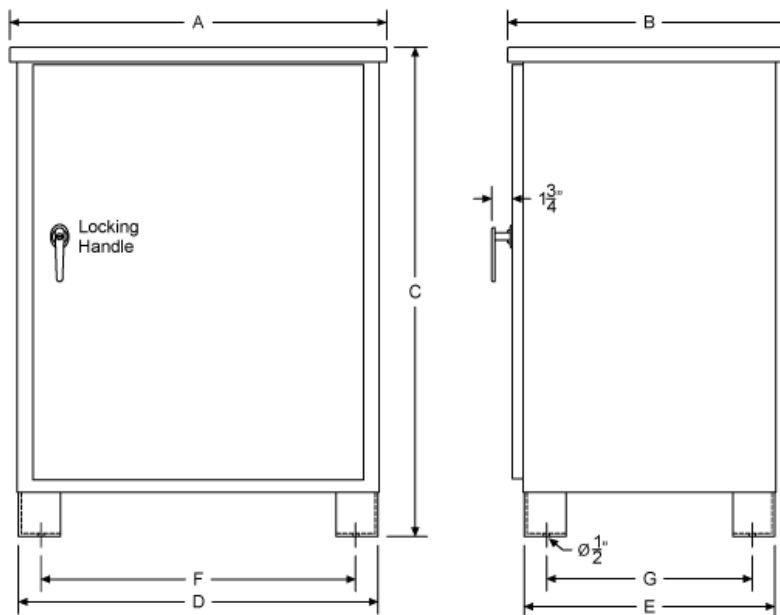
# ADD-A-PHASE® Type S Phase Converter

Nema 3R Enclosures: Frames 603, 107, 115 & 130 (in inches)



Enclosure	Applies to converter sizes:	A	B	C	D	E	F	G
603	1 HP – 3 HP (Type 2S) 1 HP – 2 HP (Type 4S)	17 in.	11 in.	16-1/8 in.	18 in.	10 in.	13 in.	1/2 in.
107	5 HP – 7.5 HP (Type 2S) 1 HP – 7.5 HP (Type 3S) 3 HP – 7.5 HP (Type 4S)	22-1/4 in.	12-7/8 in.	18-5/8 in.	26 in.	11-1/2 in.	15 in.	9/16 in.
115	10 HP – 15 HP (Types 2S, 3S & 4S)	25-1/2 in.	14 in.	21-1/4 in.	29 in.	14 in.	17-1/2 in.	9/16 in.
130	20 HP – 30 HP (Types 2S, 3S & 4S)	28-3/4 in.	16-1/2 in.	26-3/4 in.	32-1/4 in.	17-5/8 in.	22-1/8 in.	9/16 in.

## Padmount Enclosures



Enclosure	Applies to converter sizes:	A	B	C	D	E	F	G
150	40 HP – 50 HP (Types 2S, 3S & 4S)	32 in.	22-7/8 in.	40-7/8 in.	30 in.	21 in.	27-1/2 in.	18-1/2 in.
175	60 HP – 75 HP (Types 2S & 3S) 60 HP – 125 HP (Type 4S)	38 in.	28-7/8 in.	40-7/8 in.	36 in.	27 in.	33-1/2 in.	24-1/2 in.

# RONK

Sales Information: 1-800-221-7665 • Service and Support: 1-217-563-8333

PO Box 160, 106 E State Street, Nokomis, IL 62075-0160 • sales@ronkelectrical.com • www.ronkelectrical.com

TS-017\_04-2017