

# METER-RITE® Meter Socket with Circuit Breaker



Grade-level Meter Socket with Circuit Breaker Combo Unit.

Suitable Only for Use as Service Equipment (SUSE).

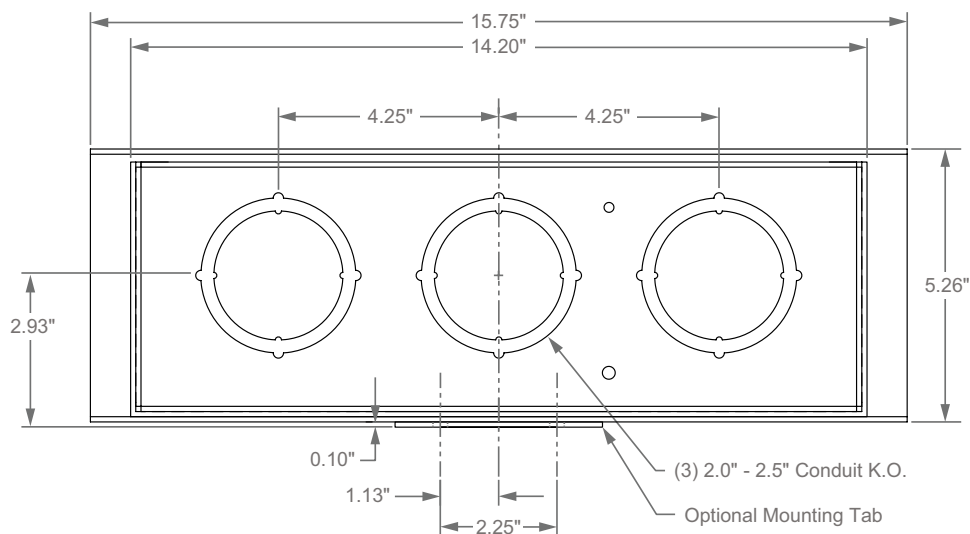
## Specifications

Series	MSB200H		MSB200L	
Catalog Number	MSB200HEAEB A	MSB200HEAEB B	MSB200LEAAB A	MSB200LEAB B A
Bypass Type	Horn bypass		Lever bypass	
Meter Socket Type	Ringless			
Feed Type	Overhead or underground entry			
Current	200 A			
Voltage	240 Vac			
Short Circuit Current Rating	25,000 RMS symmetrical amperes (@240 Vac max.)			
Jaws	4		4	5
Enclosure	Aluminum, type 3R, rainproof			
Mounting	Wall or pole mount			
Weight	Approx. 52 lbs.			
Main Circuit Breaker	Siemens QRH22B200 molded case			
Conduit Knockout Sizes	Standard	(3) 2 in. to 2½ in.	Standard	
Hub Type	Murray RX200 (or equivalent)			

- Replacement circuit breaker must be of the same type and interrupt ratings
- Single or multiple load lug connection options
- Standard knockout sizes: (1) 1½ in. to 2 in. and (2) 2 in. to 2½ in.
- All knockouts are on bottom of unit
- Other knockout configurations available
- Hub opening and closing plate included
- Before installation, consult your local utility for approval

## Dimensions of Knockouts (in inches)

Figure 1, MSB200H



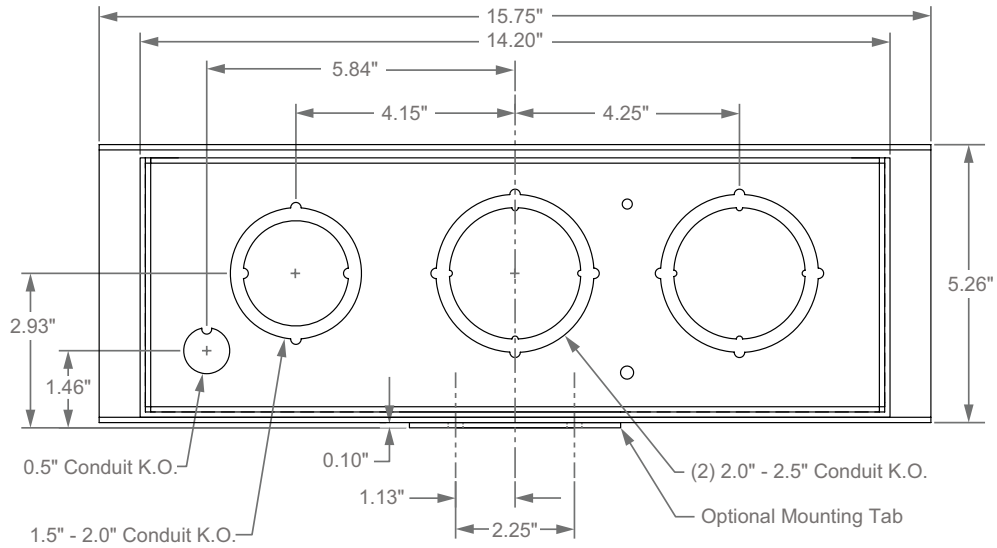
Sales Information: 1-800-221-7665 • Service and Support: 1-217-563-8333

PO Box 160, 106 E State Street, Nokomis, IL 62075-0160 • sales@ronkelectrical.com • www.ronkelectrical.com

# METER-RITE® Meter Socket with Circuit Breaker

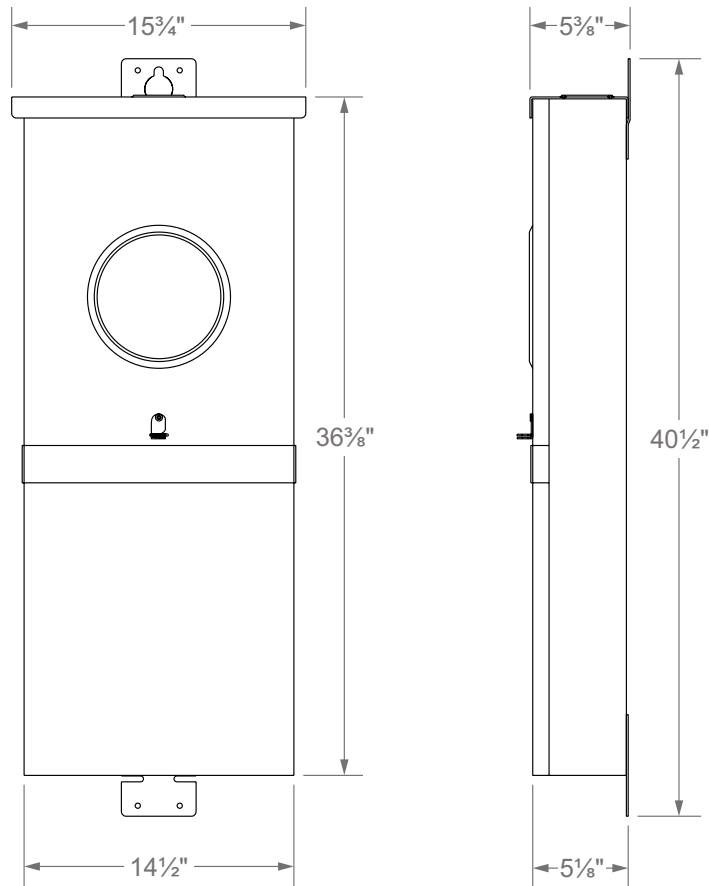
## Dimensions of Knockouts (in inches)

Figure 2, MSB200L



## Dimensions of NEMA 3R Enclosure (in inches)

Figure 3, MSB200L & MSB200H



# RONK

Sales Information: 1-800-221-7665 • Service and Support: 1-217-563-8333

PO Box 160, 106 E State Street, Nokomis, IL 62075-0160 • sales@ronkelectrical.com • www.ronkelectrical.com

TS-023\_06-2019