

Outdoor Equipment Enclosures

Ronk offers a line of inexpensive aluminum enclosures for power supplier, industrial, and agricultural customers. These enclosures protect electrical devices, terminals, and equipment from the weather. Ronk enclosures retain their clean, attractive appearance after years of outdoor exposure.

- Removable rear-mounted panel on models 600, 601, 602, & 603
- Convenient knockouts provided
- Additional holes easily cut
- NEMA 3R aluminum drip-proof enclosures
- Models available with louvered cover

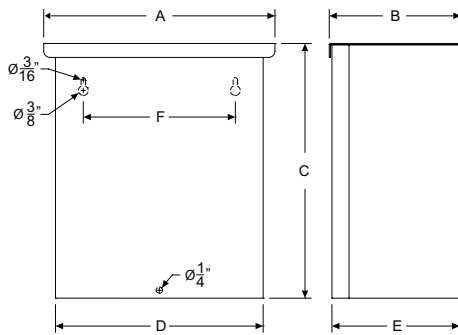
Enclosure Comparison (values approximate)

Model	Internal Dimensions			Volume	Weight
	Width	Height	Depth		
600	7-7/8 in.	9-1/4 in.	4-1/2 in.	330 in. ³	3 lbs.
601	10-7/8 in.	12 in.	5-5/8 in.	750 in. ³	7 lbs.
602	12-7/8 in.	12 in.	7-5/8 in.	1,200 in. ³	9 lbs.
603	15-7/8 in.	15-1/4 in.	9-5/8 in.	2,350 in. ³	16 lbs.
604	24-3/8 in.	15-7/8 in.	10 in.	4,000 in. ³	21 lbs.
605	24-3/8 in.	18-3/8 in.	11 in.	5,000 in. ³	24 lbs.

Dimensions of NEMA 3R Aluminum Enclosures (in inches)

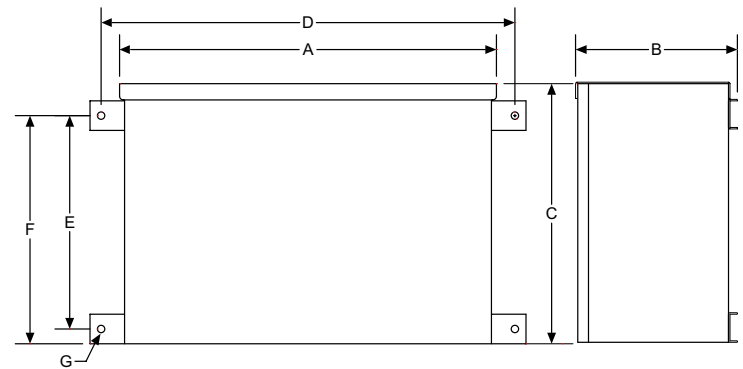
Enclosure 600

Enclosure	A	B	C	D	E	F
600	9-1/8	5-3/16	10-1/16	8-3/16	5-1/16	6



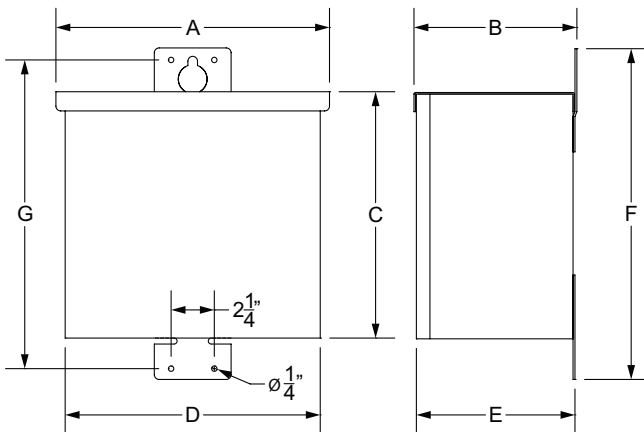
Enclosures 603, 604, and 605

Enclosure	A	B	C	D	E	F	G
603	17	11	16-1/8	18	10	13	1/2
604	25-1/2	10-15/16	17-5/8	28	14-7/8	15-7/8	1/2
605	25-1/2	11-15/16	20-1/8	28	17	18	1/2



Enclosures 601 and 602

Enclosure	A	B	C	D	E	F	G
601	12	6-1/2	12-13/16	11-1/16	6-3/16	17-7/16	16-1/4
602	14-1/4	8-1/2	12-13/16	13-5/16	8-1/4	17-1/4	16-1/16



RONK

Sales Information: 1-800-221-7665 • Service and Support: 1-217-563-8333

PO Box 160, 106 E State Street, Nokomis, IL 62075-0160 • sales@ronkelectrical.com • www.ronkelectrical.com

TS-005_07-2016