

# ROTO-CON® Types P & D-1 Rotary Phase Converters



## Section I – Types 2P and 4P

For the majority of applications, ROTO-CON is sized to the largest 3Ø motor (based on FLA rating) or *total* motor HP to be operated at one time. For some applications, however, it is recommended that ROTO-CON be oversized to operate correctly.

If you have questions about which ROTO-CON model is required, please call toll free at 1-800-221-7665 for a recommendation

**When ordering,  
specify KVA rating and type**

### Type 2P or 2D-1

240 Volt Input  
240 Volt Output

### Type 4P or 4D-1

480 Volt Input  
480 Volt Output

Section I – Types 2P and 4P						
Converter Size	Largest 3Ø Motor – Easy Start	Largest 3Ø Motor – Hard Start	Total 3Ø Motors	Approx. Weight	1Ø FLA	
					Type 2P (240 V)	Type 4P (480 V)
2 KVA	1 HP	0.75 HP	2 HP	65 lbs.	10 A	5 A
4 KVA	2 HP	1 HP	4 HP	66 lbs.	20 A	10 A
6 KVA	3 HP	2 HP	6 HP	72 lbs.	30 A	15 A
10 KVA	5 HP	3 HP	10 HP	101 lbs.	48 A	24 A
15 KVA	7.5 HP	5 HP	15 HP	125 lbs.	72 A	36 A
20 KVA	10 HP	7.5 HP	20 HP	198 lbs.	96 A	48 A
30 KVA	15 HP	10 HP	30 HP	254 lbs.	135 A	68 A
40 KVA	20 HP	15 HP	40 HP	386 lbs.	180 A	90 A
50 KVA	25 HP	20 HP	50 HP	387 lbs.	225 A	113 A
60 KVA	30 HP		60 HP	418 lbs.	265 A	133 A
80 KVA	40 HP		80 HP	448 lbs.	350 A	175 A
100 KVA	50 HP		100 HP	497 lbs.	440 A	220 A
120 KVA*	60 HP		120 HP	543 lbs.	530 A	265 A

## Section II – Types 2D-1 and 4D-1

For single hard-starting motors, multiple small motors up to nameplate of converter, or non-motor loads. For non-motor loads, complete the appropriate application form (found at [ronkelectrical.com](http://ronkelectrical.com) under “Applications”) and submit to Ronk for custom guided product selection.

Section II – Types 2D-1 and 4D-1					
Converter Size	Largest Single 3Ø Motor	Total 3Ø Motors	Approx. Weight	1Ø Input FLA	
				Type 2D-1 (240 V)	Type 4D-1 (480 V)
5.3 KVA	5 HP	5.3 HP	126 lbs.	30 A	15 A
8 KVA	7.5 HP	8 HP	199 lbs.	42 A	21 A
12 KVA	10 HP	12 HP	255 lbs.	54 A	27 A
16 KVA	15 HP	16 HP	388 lbs.	70 A	35 A
21 KVA	20 HP	21 HP	392 lbs.	90 A	45 A
28 KVA	25 HP	28 HP	418 lbs.	120 A	60 A
35 KVA	30 HP	35 HP	454 lbs.	150 A	75 A
42 KVA*	40 HP	42 HP	494 lbs.	180 A	90 A

It may be necessary to furnish auxiliary starting panels for better starting acceleration with high torque or inertia loads. All listed units come with 3-pole power distribution blocks to simplify wiring connections. There are optional configurations available to meet your needs. Call Ronk toll-free at 1-800-221-7665 for information regarding these optional configurations.

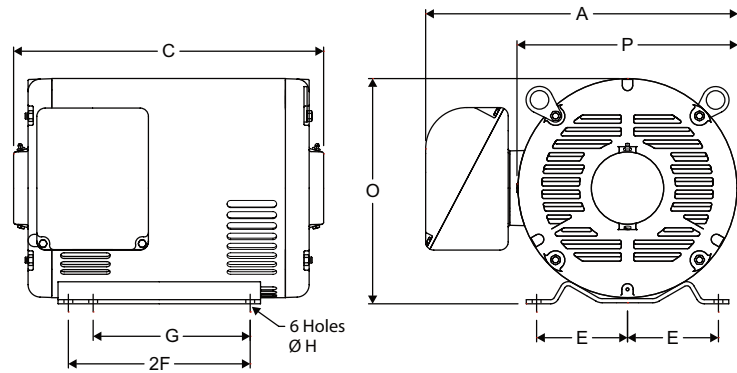


**Sales Information:** 1-800-221-7665 • **Service and Support:** 1-217-563-8333

PO Box 160, 106 E State Street, Nokomis, IL 62075-0160 • [sales@ronkelectrical.com](mailto:sales@ronkelectrical.com) • [www.ronkelectrical.com](http://www.ronkelectrical.com)

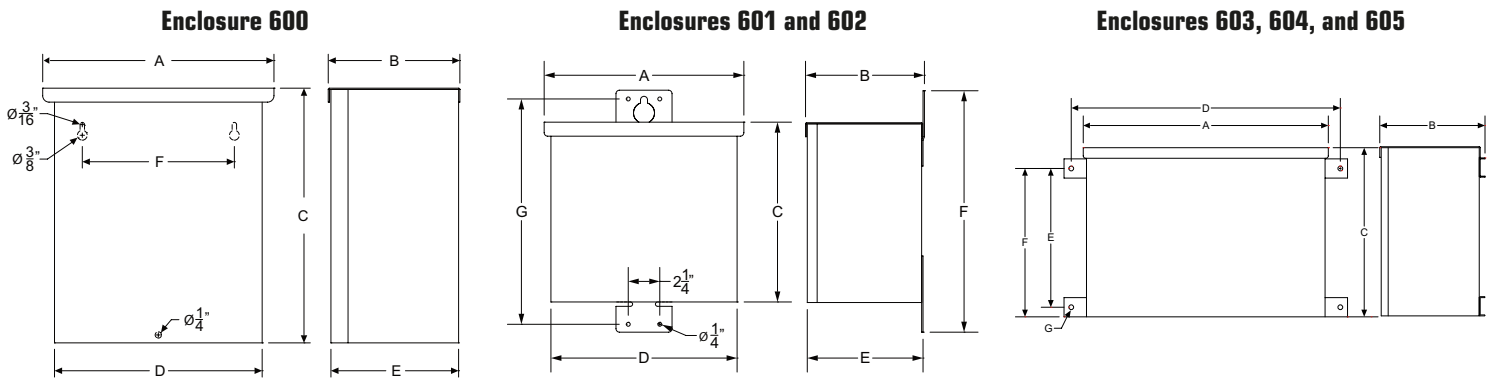
# ROTO-CON® Types P & D-1 Rotary Phase Converters

Dimensions of Rotary Base and Panel Control,  
Open Drip-proof Rotary (in inches)



Converter Size		Rotary Frame	ODP Rotary Base Dimensions (in inches)								Enclosure Panels			
2P/4P	2D-1/4D-1		A	C	E	2F	G	H	O	P	2P	4P	2D-1	4D1
2 KVA		182	9-7/8	10-1/8	3-3/4	5-1/2	4-1/2	13/32	8-1/2	7-7/8	600	600		
4 KVA		182	9-7/8	10-1/8	3-3/4	5-1/2	4-1/2	13/32	8-1/2	7-7/8	600	600		
6 KVA		184	9-7/8	11-1/2	3-3/4	5-1/2	4-1/2	13/32	8-1/2	7-7/8	600	600		
10 KVA		213	12-3/4	12-1/2	4-1/4	7	5-1/2	13/32	10-1/8	9-5/8	600	600		
15 KVA	5.3 KVA	215	12-3/4	12-1/2	4-1/4	7	5-1/2	13/32	10-1/4	9-5/8	601	601	601	601
20 KVA	8 KVA	254	15-3/8	15-3/8	5	8-1/4		17/32	12	11-3/4	602	602	602	602
30 KVA	12 KVA	256	15-3/8	15-3/8	5	10	8-1/4	17/32	12	11-3/4	602	602	602	602
40 KVA	16 KVA	286	18-7/8	18-3/4	5-1/2	11	9-1/2	17/32	13-5/8	13-1/4	603	602	603	602
50 KVA	21 KVA	286	18-7/8	18-3/4	5-1/2	11	9-1/2	17/32	13-5/8	13-1/4	603	602	603	602
60 KVA		286	18-7/8	18-3/4	5-1/2	11	9-1/2	17/32	13-5/8	13-1/4	(2) 603	(2) 602		
80 KVA	28 KVA	324	20-7/8	21-1/8	6-1/4	12	10-1/2	21/32	15-5/8	15-1/4	(2) 603	(2) 602	603	603
100 KVA	35 KVA	326	20-7/8	21-1/8	6-1/4	12	10-1/2	21/32	15-5/8	15-1/4	(2) 604	(2) 603	604	603
120 KVA	42 KVA	364	23-1/2	21-1/8	7	12-1/4	11-1/4	21/32	16-5/8	15-1/4	(2) 605	(2) 603	605	603

Dimensions of NEMA 3R Enclosures (in inches)



Enclosure	A	B	C	D	E	F
600	9-1/8	5-3/16	10-1/16	8-3/16	5-1/16	6

Enclosure	A	B	C	D	E	F	G
601	12	6-1/2	12-13/16	11-1/16	6-3/16	17-7/16	16-1/4
602	14-1/4	8-1/2	12-13/16	13-5/16	8-1/4	17-1/4	16-1/16

Enclosure	A	B	C	D	E	F	G
603	17	11	16-1/8	18	10	13	1/2
604	25-1/2	10-15/16	17-5/8	28	14-7/8	15-7/8	1/2
605	25-1/2	11-15/16	20-1/8	28	17	18	1/2



Sales Information: 1-800-221-7665 • Service and Support: 1-217-563-8333

PO Box 160, 106 E State Street, Nokomis, IL 62075-0160 • sales@ronkelectrical.com • www.ronkelectrical.com

TS-009\_07-2016