

ROTOVERTER® Types AS-2 and LS Rotary Phase Converters



Type LS ROTOVERTER – with exclusive tapped winding – allows pump motor currents to be balanced for maximum motor life, where pump motor loads may vary considerably,

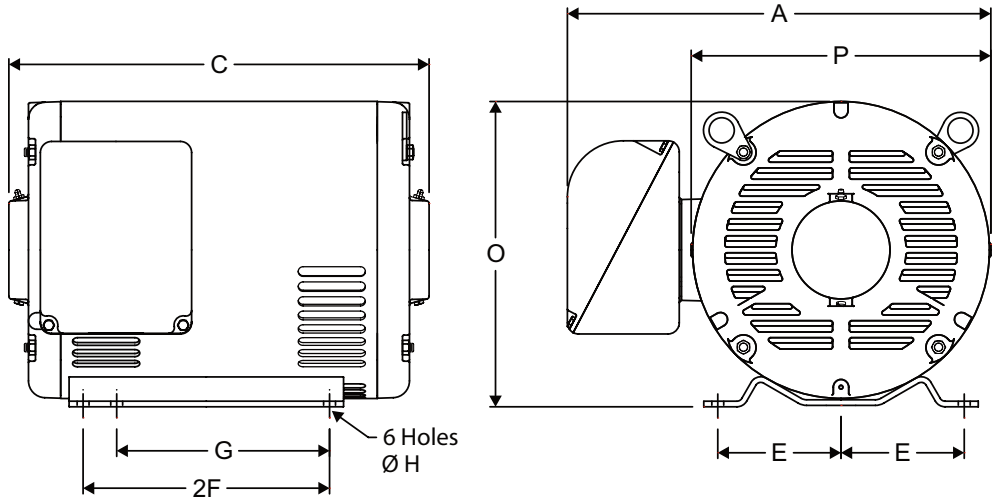
These models are sized to the largest three-phase motor based on full-load amp (FLA) rating or total motor horsepower to be operated at one time.

Series

- **2C-AS-2:** Single-phase 240 V input; automatic starting HOA switch
- **4C-AS-2:** Single-phase 480 V input; automatic starting HOA switch
- **2C-LS:** Single-phase 240 V input; pad mount fiberglass enclosure with louvers, heat exhaust fan and locking provision; not UL listed (signaled operation only)
- **4C-LS:** Single-phase 480 V input; pad mount fiberglass enclosure with louvers, heat exhaust fan and locking provision; not UL listed (signaled operation only)

| Converter Size | Operates Two 3Ø Motors | 1Ø Input FLA (@240 V) | 1Ø Input FLA (@480 V) | Weight | |
|----------------|------------------------|-----------------------|-----------------------|----------|----------|
| | | | | AS-2 | LS* |
| 4 KVA | 2 HP | 18 A | 9 A | 80 lbs. | 150 lbs. |
| 6 KVA | 3 HP | 26 A | 13 A | 85 lbs. | 180 lbs. |
| 10 KVA | 5 HP | 44 A | 22 A | 120 lbs. | 185 lbs. |
| 15 KVA | 7.5 HP | 66 A | 33 A | 142 lbs. | 200 lbs. |
| 20 KVA | 10 HP | 88 A | 44 A | 217 lbs. | 275 lbs. |
| 30 KVA | 15 HP | 132 A | 66 A | 285 lbs. | 310 lbs. |
| 40 KVA | 20 HP | 176 A | 88 A | 380 lbs. | 475 lbs. |
| 50 KVA | 25 HP | 220 A | 110 A | 400 lbs. | 540 lbs. |
| 60 KVA | 30 HP | 264 A | 132 A | 405 lbs. | 545 lbs. |
| 80 KVA | 40 HP | 352 A | 176 A | 510 lbs. | 600 lbs. |

*LS models not UL listed



Dimensions of Rotary Base (in inches)

| Converter Size | Frame | Rotary Base Dimensions | | | | | | | |
|----------------|-------|------------------------|--------|-------|-------|--------|-------|--------|--------|
| | | A | C | E | 2F | G | H | O | P |
| 4 KVA | 184 | 9-7/8 | 11-1/2 | 3-3/4 | 5-1/2 | 4-1/2 | 13/32 | 8-1/2 | 7-7/8 |
| 6 KVA | 184 | 9-7/8 | 11-1/2 | 3-3/4 | 5-1/2 | 4-1/2 | 13/32 | 8-1/2 | 7-7/8 |
| 10 KVA | 213 | 12-3/4 | 12-1/2 | 4-1/4 | 7 | 5-1/2 | 13/32 | 10-1/8 | 9-5/8 |
| 15 KVA | 215 | 12-3/4 | 12-1/2 | 4-1/4 | 7 | 5-1/2 | 13/32 | 10-1/4 | 9-5/8 |
| 20 KVA | 254 | 15-3/8 | 15-3/8 | 5 | 8-1/4 | | 17/32 | 12 | 11-3/4 |
| 30 KVA | 256 | 15-3/8 | 15-3/8 | 5 | 10 | 8-1/4 | 17/32 | 12 | 11-3/4 |
| 40 KVA | 286 | 18-7/8 | 18-3/4 | 5-1/2 | 11 | 9-1/2 | 17/32 | 13-5/8 | 13-1/4 |
| 50 KVA | 286 | 18-7/8 | 18-3/4 | 5-1/2 | 11 | 9-1/2 | 17/32 | 13-5/8 | 13-1/4 |
| 60 KVA | 286 | 18-7/8 | 18-3/4 | 5-1/2 | 11 | 9-1/2 | 17/32 | 13-5/8 | 13-1/4 |
| 80 KVA | 326 | 20-7/8 | 21-1/8 | 6-1/4 | 12 | 10-1/2 | 21/32 | 15-5/8 | 15-1/4 |



Sales Information: 1-800-221-7665 • Service and Support: 1-217-563-8333

PO Box 160, 106 E State Street, Nokomis, IL 62075-0160 • sales@ronkelectrical.com • www.ronkelectrical.com

ROTOVERTER® Types AS-2 and LS Rotary Phase Converters

| Converter Size | Enclosure Panels | | | | |
|----------------|------------------|---------|---------|---------|----------------|
| | 2C-AS-2 | | 4C-AS-2 | | 2C-LS 4C-LS |
| | Panel 1 | Panel 2 | Panel 1 | Panel 2 | |
| 4 KVA | 602 | 600 | 602 | 600 | LS-1 |
| 6 KVA | 602 | 600 | 602 | 600 | LS-1 |
| 10 KVA | 602 | 600 | 602 | 600 | LS-1 |
| 15 KVA | 603 | 601 | 602 | 600 | LS-1 |
| 20 KVA | 603 | 601 | 603 | 601 | LS-1 |
| 30 KVA | 603 | 602 | 603 | 601 | LS-1 |
| 40 KVA | 604 | 602 | 603 | 601 | LS-2 |
| 50 KVA | 604 | 603 | 603 | 602 | LS-2 |
| 60 KVA | 604 | 603 | 603 | 602 | LS-2 |
| 80 KVA | 605 | 603 | 604 | 602 | LS-2 |

Dimensions of Enclosures (in inches)

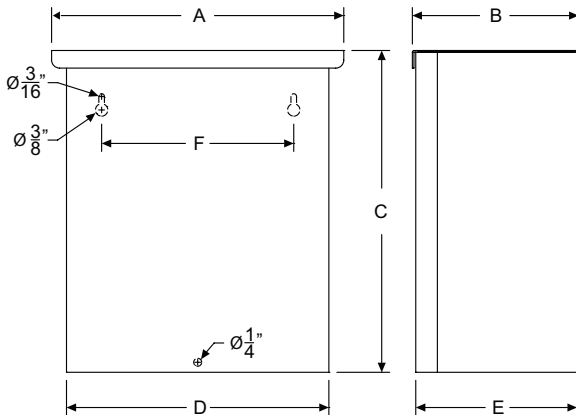
| Enclosure | A | B | C | D | E | F |
|-----------|-------|--------|---------|--------|--------|---|
| 600 | 9-1/8 | 5-3/16 | 10-1/16 | 8-3/16 | 5-1/16 | 6 |

| Enclosure | A | B | C | D | E | F | G |
|-----------|--------|-------|----------|---------|--------|---------|---------|
| 601 | 12 | 6-1/2 | 12-13/16 | 11-1/16 | 6-3/16 | 17-7/16 | 16-1/4 |
| 602 | 14-1/4 | 8-1/2 | 12-13/16 | 13-5/16 | 8-1/4 | 17-1/4 | 16-1/16 |

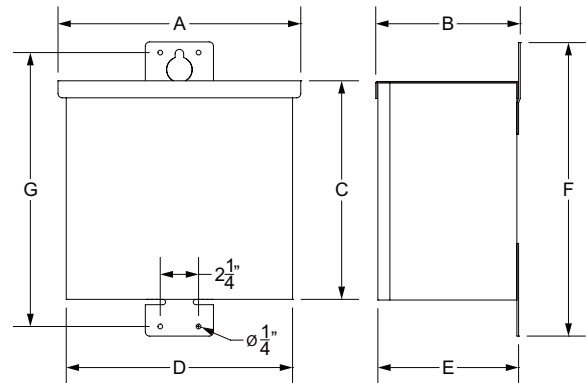
| Enclosure | A | B | C | D | E | F | G |
|-----------|--------|----------|--------|----|--------|--------|-----|
| 603 | 17 | 11 | 16-1/8 | 18 | 10 | 13 | 1/2 |
| 604 | 25-1/2 | 10-15/16 | 17-5/8 | 28 | 14-7/8 | 15-7/8 | 1/2 |
| 605 | 25-1/2 | 11-15/16 | 20-1/8 | 28 | 17 | 18 | 1/2 |

| Enclosure | A | B | C |
|-----------|--------|--------|--------|
| LS-1 | 26-1/2 | 24-1/2 | 24-1/2 |
| LS-2 | 44 | 24-1/2 | 32 |

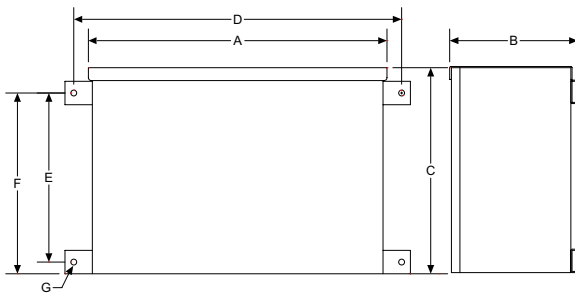
Enclosure 600



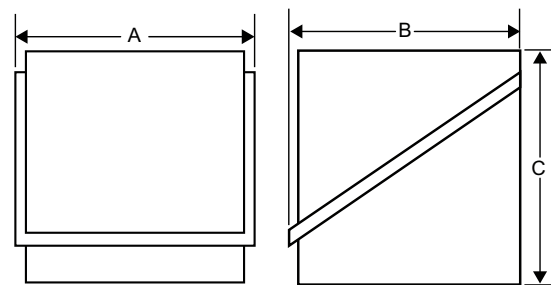
Enclosures 601 and 602



Enclosures 603, 604, and 605



Enclosures LS-1 and LS-2



RONK

Sales Information: 1-800-221-7665 • Service and Support: 1-217-563-8333

PO Box 160, 106 E State Street, Nokomis, IL 62075-0160 • sales@ronkelectrical.com • www.ronkelectrical.com

TS-011 07-2016