

METER-RITE®

Grade-Level Double-Throw / Meter Socket Combo Unit, Unfused
 Catalog Nos. 7215MS*(-XX)
 Type 3R Rainproof Enclosure 240 Vac
 This Combination Double-Throw Switch/Meter Socket Unit
 is "SUITABLE FOR USE ONLY AS SERVICE EQUIPMENT".

Schematic for Cat. Nos.
 7215MSH(-XX), 7215MSL(-XX)

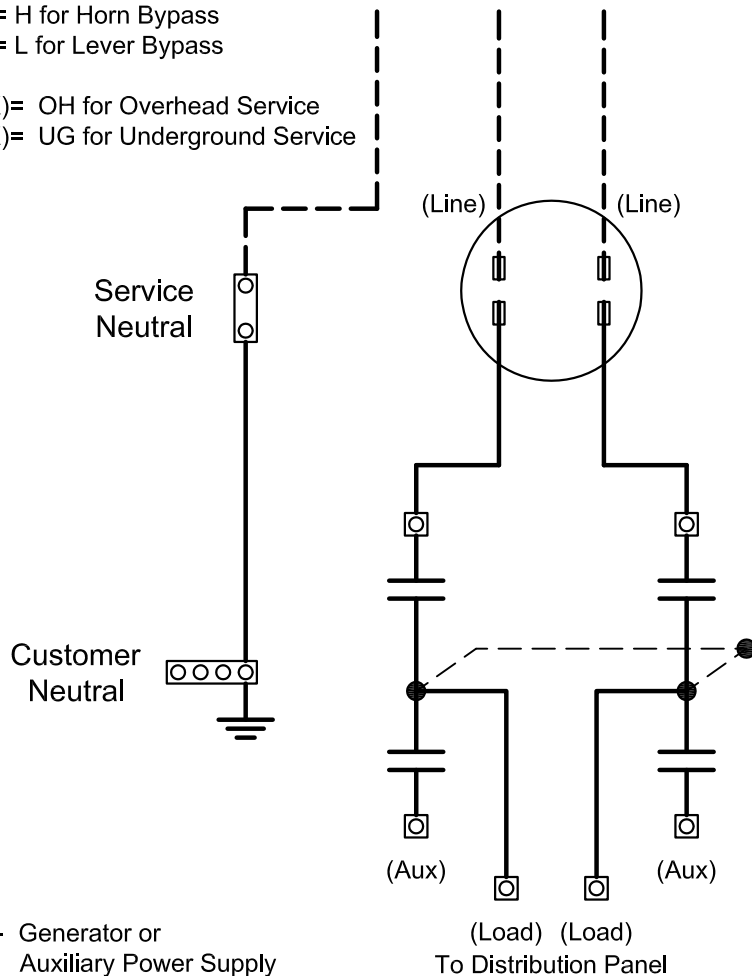
RONK ELECTRICAL INDUSTRIES, INC.
 NOKOMIS, ILLINOIS

Scale	None	Drawing Number	2-5003
Drawn	NCL		
Date	12/02/13		
Approved	NCL		

200 AMP 240 VOLT SINGLE-PHASE SERVICE LINE

Note: (*) = H for Horn Bypass
 (*) = L for Lever Bypass

(XX)= OH for Overhead Service
 (XX)= UG for Underground Service



Note: Per 230-91, when the Service Overcurrent Device is not an integral part of the Service Disconnecting Means, it "shall be located immediately adjacent thereto".

(Aux) - Generator or Auxiliary Power Supply

(Load) (Load)
 To Distribution Panel

SWITCH CATALOG NUMBER	SERVICE CONNECTIONS		CUSTOMER CONNECTIONS		
	LINE LUGS	NEUTRAL	AUX LUGS	LOAD LUGS	NEUTRAL
7215-MS*(-XX)	350 MCM - #6 CU-AL (LAY-IN TERMINAL)	250 MCM - #6 CU-AL (1-HOLE LUG)	250 MCM - #6 CU-AL (1-HOLE LUG)	250 MCM - #6 CU-AL (4-HOLE LUG)	350 MCM - #6 CU-AL (3-HOLE BAR)

TIGHTENING TORQUE	
SOCKET SIZE (INCH)	TORQUE (IN-LB)
1/8	45
5/32	100
3/16	120
7/32	150
1/4	200
5/16	250
3/8	375
1/2	500
9/16	600

USE COPPER WIRE RATED 75° C FOR AUXILIARY AND LOAD CONNECTIONS.

WARNING: ALL ADJUSTMENTS ON SWITCH HAVE BEEN MADE AT FACTORY AND MUST NOT BE CHANGED IN THE FIELD.

Revision Description	
RE-DRAWN IN CAD.	
Rev	CN
Date	BY
B	